

PRESENTATION

FIDJI wall boxes are available in two different formats:

- The FIDJI 12 version is designed to manage and protect up to 24 FO in their classic configuration,
- The FIDJI 24 version has a capacity of 48 FO in its classic configuration.
- The FIDJI 24 High Density version is now available in 96 FO configuration, incorporating LC-Quad type connectors and 24 pivoting splice trays. This model retains the robustness and modularity characteristic of the FIDJI range. However, it is not compatible with the protection module.

FIDJI wall boxes make it possible to enter the cable to the top or at the bottom. They offer a great level of adaptation to the environment as well as a high level of user convenience. Very compact and resistant, the same wall box can receive different types of adapters thanks to adapter plates. The wall box can be secured with a padlock. The coiling zones make sure the fiber bending radius is respected and FOLAN's pivoting splicing trays offer an easy and convenient access to fibers and splices, while protecting them effectively.

On demand, wall boxes can come equipped with a protection module for adapters and patchcords. It comprises top and bottom outputs and can also be secured with a padlock. The wall boxes can be sold empty or pre-equipped with adapters and pigtailed.

FIDJI 12 Wall box



FIDJI 24 wall box Classic



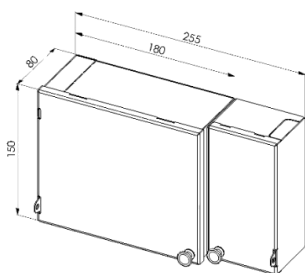
FIDJI 24 wall box High density



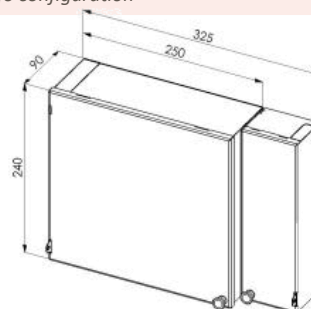
TECHNICAL SPECIFICATIONS

Characteristics	FIDJI 12 wall box	FIDJI 24 wall box
Composition	<ul style="list-style-type: none"> 1 metallic main compartment with cover 2 adapter plates (equipped or not) 1 coiling zone 1 cable stop system 	<ul style="list-style-type: none"> 1 metallic main compartment with cover 4 adapter plates (equipped or not) 2 coiling zones 1 cable stop system
Maximum Capacity	<ul style="list-style-type: none"> Up to 2 splice trays 12 classical heatshrink or ANT protection= 24 splices Up to 2 adapters plates 	<ul style="list-style-type: none"> Up to 4 splice trays, either 48 FO with classical Ø2.3mm heatshrink protection/ ANT protection, or 96 FO with Ø2mm heatshrink protection Up to 4 adapters plates
Patch interface	<ul style="list-style-type: none"> 6 SC Duplex (Compatible with SC duplex or LC Quad) 12 ST (compatible with ST or FC) 12 SC (Compatible with SC simplex or LC duplex) 	<ul style="list-style-type: none"> 24 SC Duplex (compatible with SC Duplex or LC Quad) 24 SC (compatible with SC simplex or LC Duplex) 24 ST (compatible with ST or FC)
Dimensions (LxPxH)	Without protection module : 180 x 80 x 150 mm With protection module : 255 x 80 x 150 mm	Without protection module : 250 x 90 x 240 mm With protection module : 325 x 90 x 240 mm
Weight	Excluding accessories and screws : 1 kg With protection module : 1,4 kg	Excluding accessories and screws : 1,9 kg With protection module : 2,5 kg
Material/finish	Steel with epoxy paint	
Installation	Direct connectorisation or splicing with pigtails	
Colour	Black	
Fixing	To the wall, with 4 M4 screws (not provided) and nylon spacer bolts (provided)	
Acceptable cable diameter	Max. 2 cables Ø 15 mm ou 6 cables Ø 8 mm in each entry	
Cable entries	1 at the bottom + 1 to the top	
Cable anchoring	With plastic cable ties and cable stop	
Accessoires provided	Adhesive cable guides, plastic and metal cable ties, ST or SC shutters, nylon spacer bolts	
Available Options	Protection Module * Fixing on rail DIN *excluding High Density 96fo configuration	


Coffret FIDJI 12
With protection module



Coffret FIDJI 24
With /Without protection module



INFORMATION FOR ORDER

Designation	Reference
Coffret FIDJI 12 - 12 SC	621081005
Coffret FIDJI 12 - 12 ST	621081006
Coffret FIDJI 12 - 6 SCD	621081007
Coffret FIDJI 24 – 24 SC	621091069
Coffret FIDJI 24 – 24 ST	621091067
Coffret FIDJI 24 – 24 SCD/24LCAQ 	621091065